

SH SANITARY CARTRIDGE HOUSINGS

SINGLE-ROUND CARTRIDGE HOUSING

DESIGN FEATURES

- Quality surface finishing - Internal Ra: 0.3µm; External Ra: 0.4µm. Sanitary design prevents entrapment or build-up of contaminants.
- Product Sampling - Sampling ports/points installed at both pre and post filtration.
- Vent & Drain: Threaded sleeve is separated by a stepped thread so that the connection tube will not wave when in draining or venting operation.
- Enlarged vent and drain - internal diameter connects with an 8mm tube.
- Quick-release closure clamp allows for quick disassembly – our sectional closure clamps increase pressure endurance by 20% compared to normal clamps.
- When running at high operating pressure, quick-release closure clamps provide perfecting sealing for PTFE o-rings. Max. Operating Pressure can reach 6 bar.
- Adjustable nut on the legs allows for filter length to be adjusted.

SH Single-Round Sanitary Filter Housing are specifically designed as a single filter housing for low volume liquid filtration.

Usually used in Food & Beverage, Medical, Health Services, Pharmaceutical and Life Science applications, these cartridge housings meets sanitary requirements and GMP standards.

Features include mechanical polishing, easy-to-clean, and thorough drainage, which eliminates concerns about remaining liquids.



SURFACE FINISH

Polish Type	Internal: Electro-polished; External: Mirror polished
Surface Option	Internal Ra: 0.38µm; External Ra: 0.4µm

OPERATING CONDITIONS

Max. Operating Pressure	0.6Mpa (6bar)
Max. Operating Temperature	90°C (194°F) / Design Temperature: 140°C

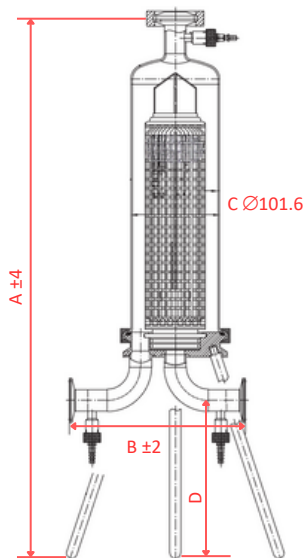
MATERIAL OF CONSTRUCTION

Housing Body	316SS
Vent/Drain	316SS
Clamp	304
Leg	304
O-ring / Gaskets	Viton

CONNECTION

Body connection	Tri-clamp, Strengthened Clamp
Inlet / Outlet	1 inch (DN 25) clamp
Vent	4mm can connect with 8mm tube
Drain	4mm can connect with 8mm tube
Pressure Gauge	1.5 inch Tri-clamp

DRAWINGS & DIMENSIONS



1 Round					
	5"	10"	20"	30"	40"
A	496	614	864	1114	1364
B	201	201	201	201	201
C	101.6	101.6	101.6	101.6	101.6
D	180	180	180	180	180

HOUSING ORDERING GUIDE

