

SH SANITARY CARTRIDGE HOUSINGS

MULTI-ROUND CARTRIDGE HOUSING

DESIGN FEATURES

- Ultra-fine polishing - Internal Ra: 0.38 μ m; External Ra: 0.4 μ m. Absolute sanitary polish
- Product Sampling - Sampling ports/points installed at both pre and post filtration
- Tri-clamp connection for vent, - no blind spots
- Adjustable nuts on legs ensure stable operation
- Detachable plate – optional for complete cleaning in critical applications



SH Multi-Round Sanitary Filter Housing are designed for liquid filtration with varying flow rates.

Usually used in Food & Beverage, Medical, Health Services, Pharmaceutical and Life Science applications, these cartridge housings meet sanitary requirements and GMP standards.

Features include mechanical polishing, easy-to-clean, and thorough drainage, which eliminates concerns about remaining liquids. In addition, the filter housing is available with a detachable plate as an option if required.



SURFACE FINISH

Polish Type	Internal: Electro-polished; External: Mirror polished
Surface Option	Internal Ra: 0.38µm; External Ra: 0.4µm

OPERATING CONDITIONS

Max. Operating Pressure	0.6Mpa (6bar)/1.0 Mpa (10 bar)
Max. Operating Temperature	90°C (194°F) / Design Temperature: 140°C

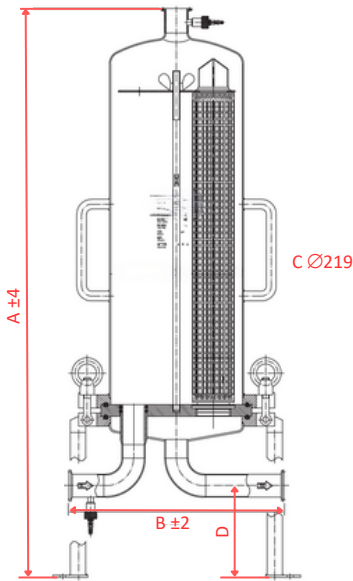
MATERIAL OF CONSTRUCTION

Housing Body	316SS
Vent/Drain	316SS
Vent Clamp	304
Eyebolt	304
Leg	304
O-ring / Gaskets	Viton

CONNECTION

Body connection	Flange / Swing Bolt
Inlet / Outlet	Tri-clamp
Vent	Tri-clamp; ID 4mm and for 8mm tube
Pressure Gauge	1.5 inch Tri-clamp

DRAWINGS & DIMENSIONS



3 Round				
	10"	20"	30"	40"
A	680	930	1180	1430
B	350	350	350	350
C	219	219	219	219
D	150	150	150	150

5 Round				
	10"	20"	30"	40"
A	700	950	1200	1450
B	400	400	400	400
C	250	250	250	250
D	150	150	150	150

HOUSING ORDERING GUIDE

