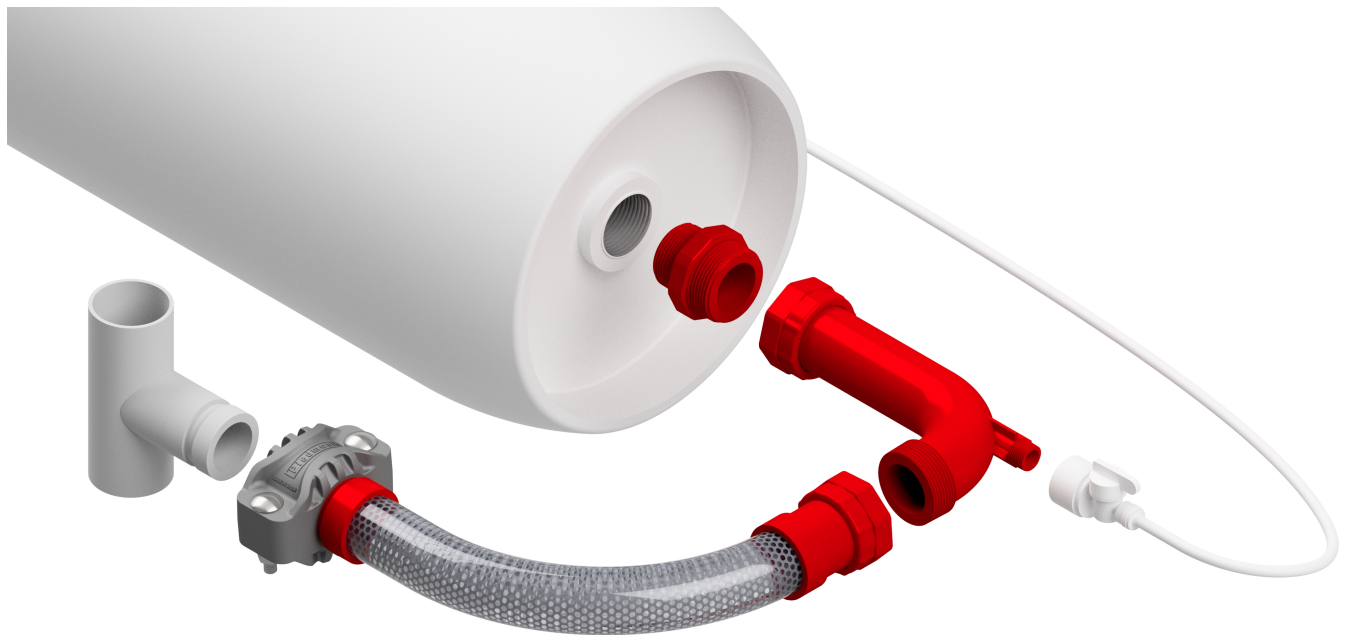




Piedmont

PERMEATE CONNECTOR
TECHNICAL & COMMERCIAL DATA SHEET

PiPerLink



Piedmont Pacific

1048 La Mirada Court, Vista,
CA 92081
USA

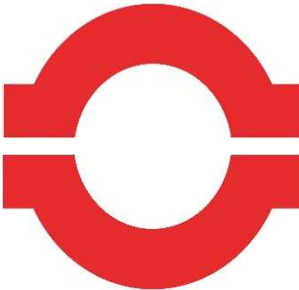
330, St-Vallier Est, Suite 340,
Québec City, QC G1K 9C5
CANADA

c/ Uribitarte 18 , 6º planta
Bilbao, Bizkaia 48001
SPAIN

sales@piedmontpacific.com / www.piedmontpacific.com

TABLE OF CONTENT

- 1. COMPANY PROFILE3
- 2. FEATURES & BENEFITS4
- 3. SPECIFICATIONS5
- 4. OPTIONS & CONFIGURATIONS10
- 5. QUOTATION11





1. COMPANY PROFILE

PIEDMONT PACIFIC specializes in providing engineered products for corrosive and high-pressure environments. Our expertise in the water industry has a long history which has allowed us to develop unique products for the water treatment and desalination industry.

MISSION & VISION. To provide the water treatment industry with engineered stainless steel and composite couplings in addition to fiberglass reinforced polyester cartridge filter housings, for wet and corrosive environments in order to maintain the mechanical integrity and safety of water treatment systems throughout their service life.

FIBERGLASS REINFORCED POLYESTER ADVANTAGE. Our cartridge filter housings are made of fiberglass reinforced polyester, one of the strongest non-metallic filter housings on the market. The main advantages of these filter housings are their complete corrosion resistance, their low maintenance content and ease of operation.

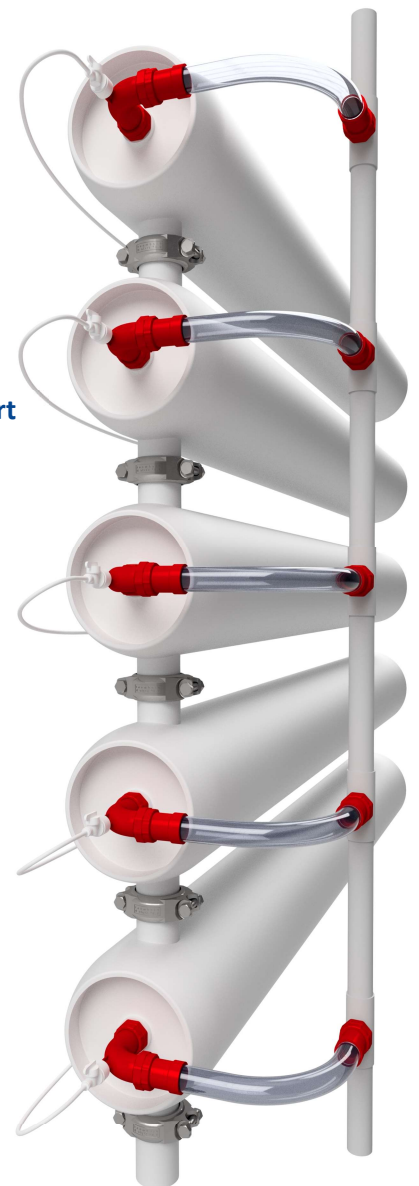
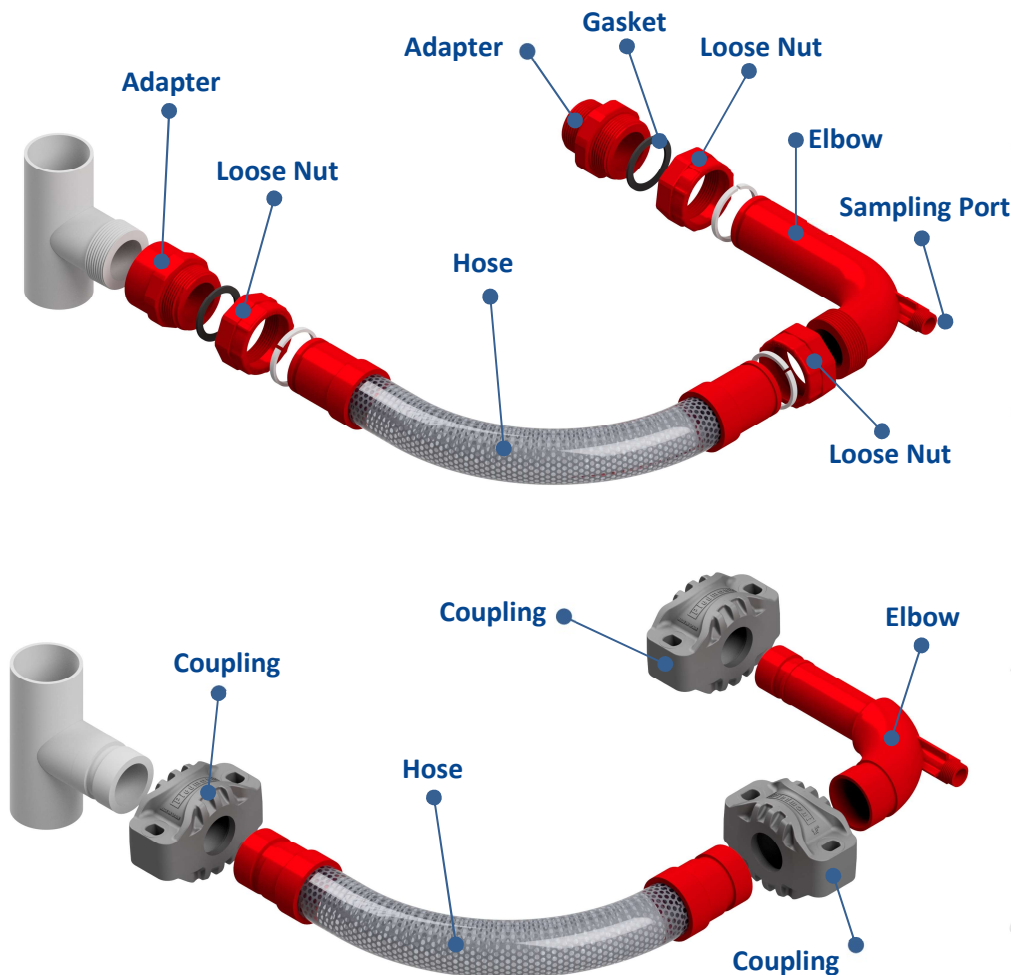
QUALITY CONTROL. Piedmont employs strict manufacturing standards to ensure the quality, durability and strength of all our parts. With each batch, we record quality data on a certificate of material at the factory and continue to monitor quality through the packaging and labeling of the boxes to shipment of the parts. Our suppliers comply with these same high-quality standards and are audited regularly by our QC team.



2. FEATURES & BENEFITS

PiPerlink

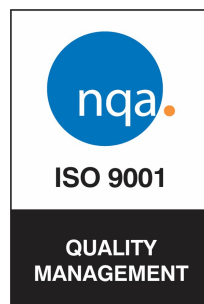
- A **solution for every RO/UF** vessel brand, type of connection and size.
 - **Versatility** in design and variety of connection type that allows cost savings in the design, manufacturing and installation of plants.
 - Improved hydrodynamic internal shape which leads to **energy savings** due to a **lower pressure drop**.
 - 100% noncorrosive plastic material.
 - **Thermo-sealed** (glue free).
 - **Certified** for drinking water according to industry standards. In progress.
- **One product / One manufacturer / One supplier**
 - **Customizable products** for a plug-and-play installation without any secondary operation (no need to cutting to size, welding, gluing...)
 - More cost effective.
 - Reduction of connections, lower risk of leaks.
 - **Integrated sample port.** Probing testing can be done without disassembling the permeate connector.

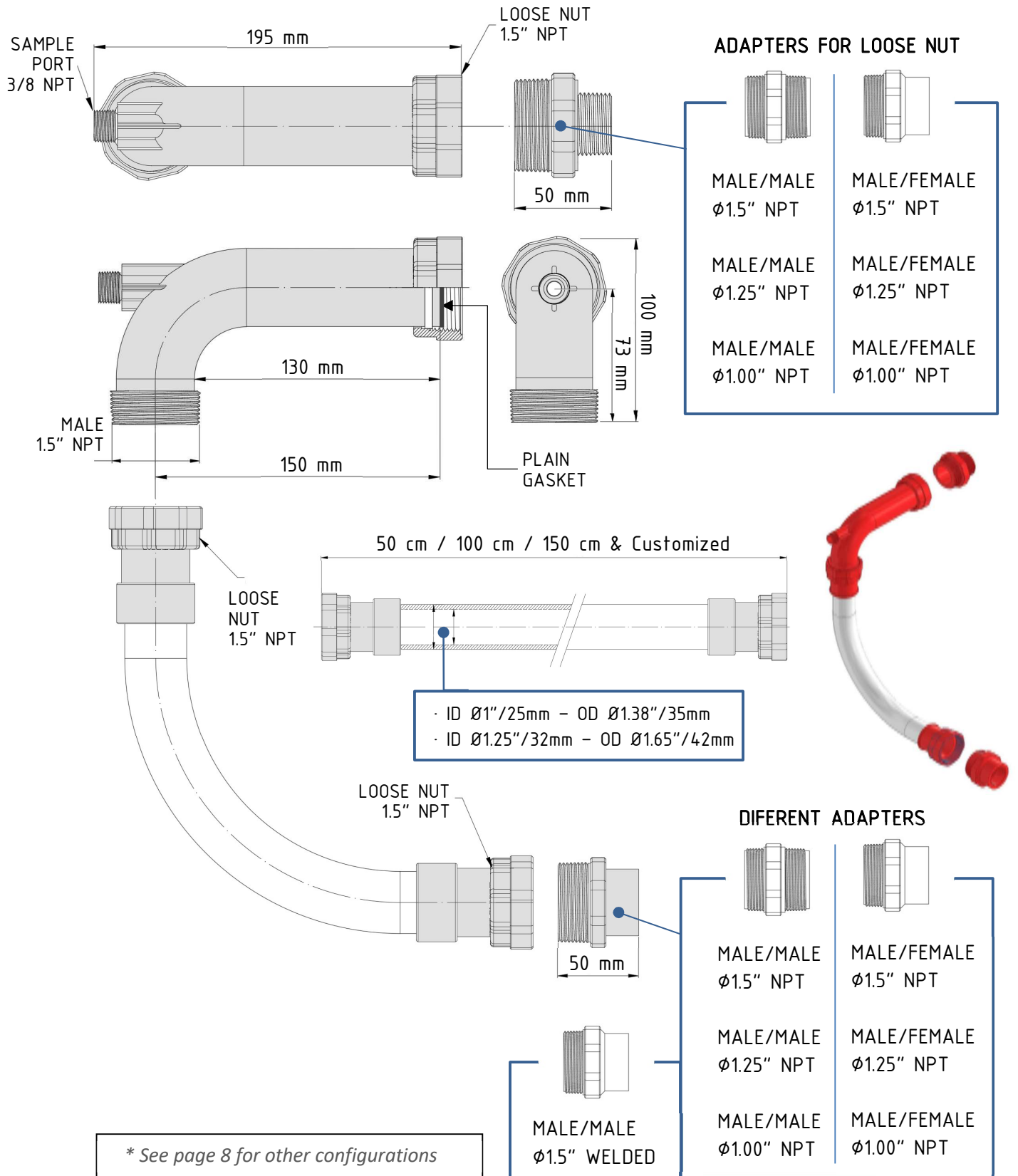


3. SPECIFICATIONS

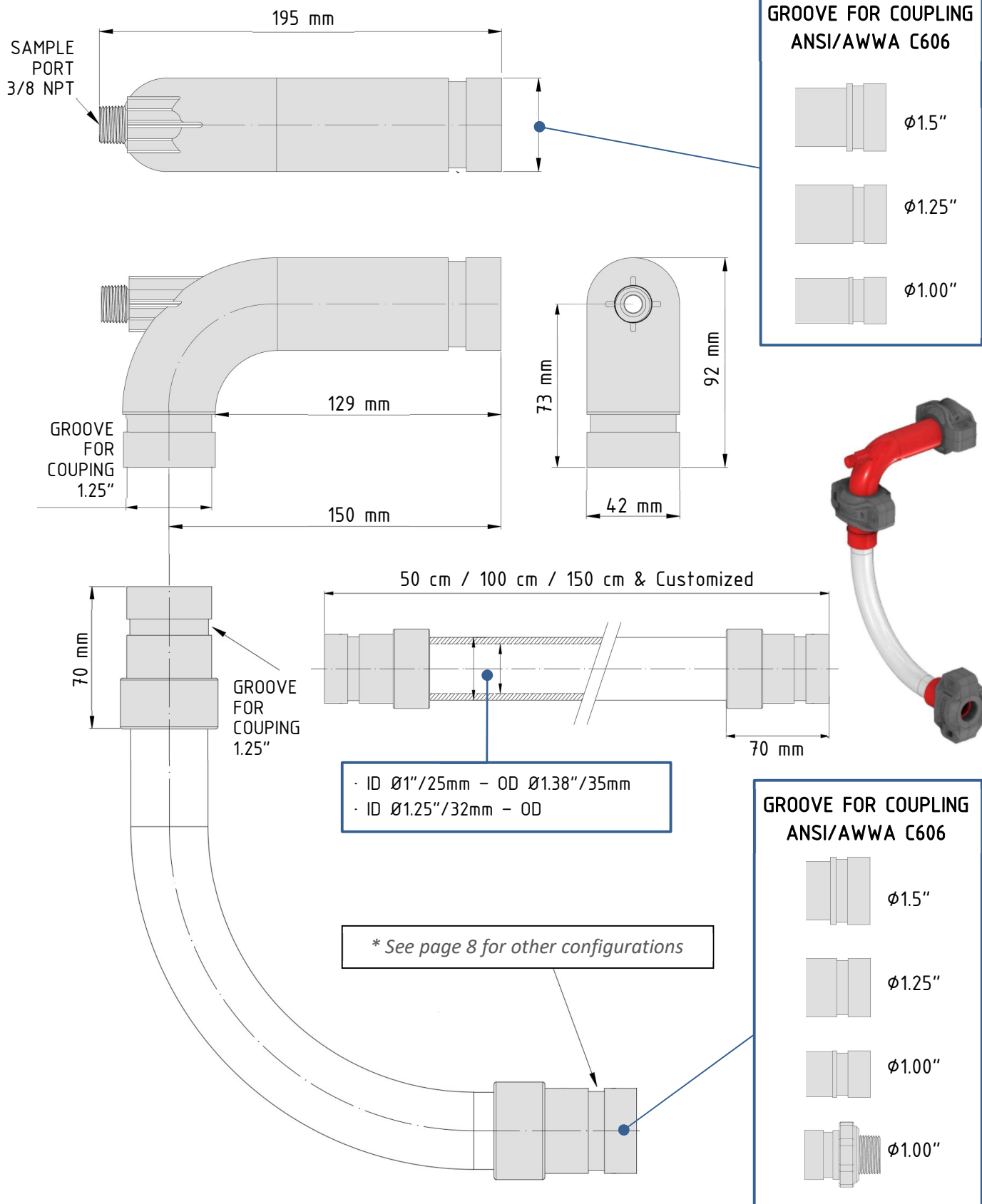
PiPerLink

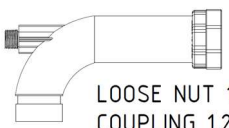
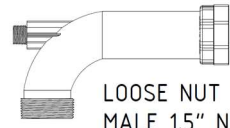

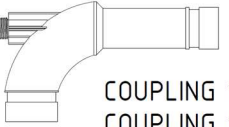
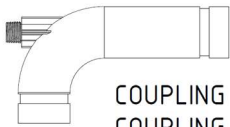
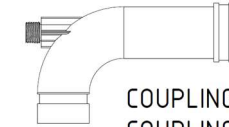
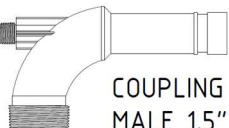
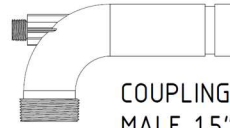
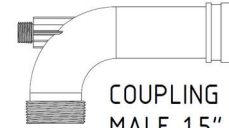

	ELBOW	HOSE
DIMENSIONS Ø:	1"/1.25"/1.5"	1"/1.25"/1.5"
LENGTH:	150 mm	50 cm / 100 cm / 150 cm /Customized upon request
MATERIALS:	PP (Polypropylene) + EPDM	PP (Polypropylene) + PVC + POM
COLOUR:	Red (others upon request)	Transparent / Opaque (white)
CONNECTIONS:	Loose Nut + Adapter / Coupling	Loose Nut + Adapter / Coupling / Welded
THREAD TYPES:	NPT (others upon request)	NPT (others upon request)
SAMPLE PORT:	3/8" Male NPT (other upon request)	-
DESIGN PRESSURE:	PN6	PN6
DESIGN TEMPERATURE:	60°C / -25°C	60°C / -25°C
CERTIFICATIONS:	Drinking water according to industry standards	Drinking water according to industry standards
COMPATIBLE OS VESSEL:	Reverse Osmosis RO Systems. Ultrafiltration UF Systems.	

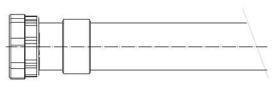

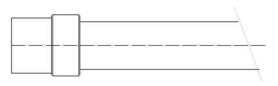


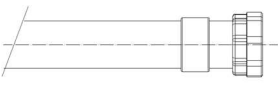




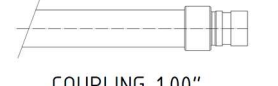
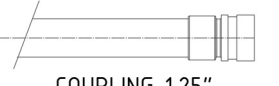



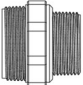
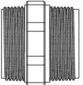




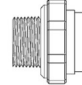
* See page 8 for other configurations

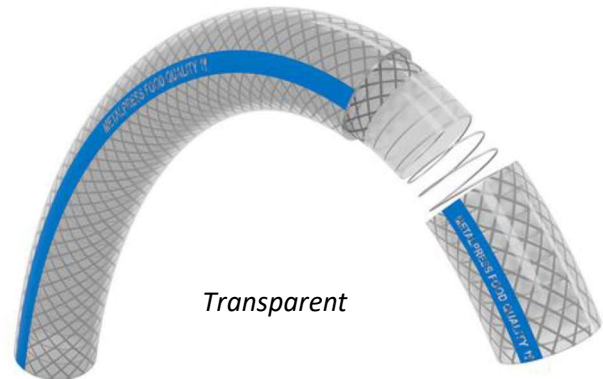
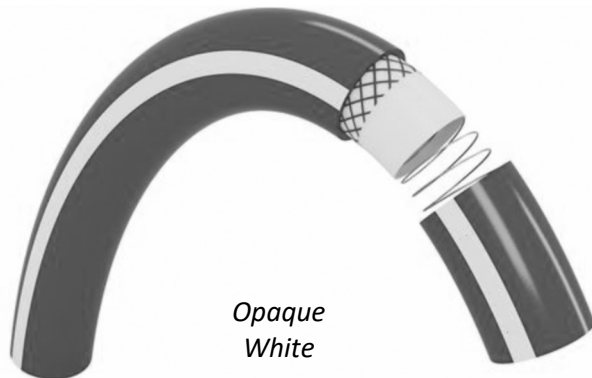


ELBOW			
<p>PLE-150LN-125GRV</p>  <p>LOOSE NUT 1.5" COUPLING 1.25"</p>	<p>PLE-150LN-150M</p>  <p>LOOSE NUT 1.5" MALE 1.5" NPT</p>	<p>PLE-150LN-125W</p>  <p>LOOSE NUT 1.5" M WELDED 1.25"</p>	ON DEMAND
<p>PLE-100GRV-125GRV</p>  <p>COUPLING 1.00" COUPLING 1.25"</p>	<p>PLE-125GRV-125GRV</p>  <p>COUPLING 1.25" COUPLING 1.25"</p>	<p>PLE-150GRV-125GRV</p>  <p>COUPLING 1.5 COUPLING 1.2</p>	ON DEMAND
<p>PLE-100GRV-150M</p>  <p>COUPLING 1.00" MALE 1.5" NPT</p>	<p>PLE-125GRV-150M</p>  <p>COUPLING 1.25" MALE 1.5" NPT</p>	<p>PLE-150GRV-150M</p>  <p>COUPLING 1.50" MALE 1.5" NPT</p>	ON DEMAND
			<p>PLE-150GRV-125W</p>  <p>COUPLING 1.50" M WELDED 1.25"</p>

ELBOW - HOSE			
 <p>LOOSE NUT 1.5"</p>	 <p>COUPLING 1.25"</p>	 <p>FEMALE WELDED 1.50"</p>	ON DEMAND

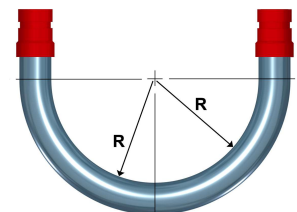
HOSE - COLLECTOR			
 <p>LOOSE NUT 1.5" HOSE ϕ1.25" INT</p>	 <p>LOOSE NUT 1.5" HOSE ϕ1.00" INT</p>	 <p>M WELDED 1.25" HOSE ϕ1.25" INT</p>	ON DEMAND
 <p>COUPLING 1.50" HOSE ϕ1.25" INT</p>	 <p>COUPLING 1.25" HOSE ϕ1.25" INT</p>	 <p>COUPLING 1.00" HOSE ϕ1.00" INT</p>	ON DEMAND
	 <p>COUPLING 1.25" HOSE ϕ1.00" INT</p>		

ADAPTERS – LOOSE NUT								
 <p>MALE 1.5"</p>	 <p>MALE 1.5"</p>	 <p>MALE 1.5"</p>	 <p>MALE 1.5"</p>	 <p>MALE 1.5"</p>	 <p>MALE 1.5"</p>	 <p>MALE 1.5"</p>	 <p>MALE 1.5"</p>	ON DEMAND
<p>MALE 1"</p>	<p>MALE 1.25"</p>	<p>MALE 1.5"</p>	<p>FEMALE 1"</p>	<p>FEMALE 1.25"</p>	<p>FEMALE 1.5"</p>	<p>WELDED 1.25"</p>	<p>MALE 1.1" COUPLING 1.25"</p>	



Phthalate-free PVC hose with double reinforcement, textile and metal spiral, for suction and transfer of food and alcoholic liquids at 50°.

- For food use according to European regulations CE 1935/2004 and UE 10/2011.
- Good resistance to pressure and vacuum in suction.
- The tube wall is smooth inside and outside.
- Good chemical resistance, associated with the PVC resistance table.
- The recommended temperature for use is between -25° C and 60° C.
- No phthalates and free of Cd/Pb/Ba.



TECHNICAL DATA							
Ø INT (MM/IN)	Ø EXT (MM)	WEIGHT (GR/M)	SERVICE PRESSURE (BAR)	MINIMUM BURSTING PRESSURE (BAR)	BENDING RADIUS (MM)	VACUUM MH ₂ O	COLOUR
25 / 1.00"	35 / 1.38"	680	16	40	70 / 2.75"	9	Transparent Opaque (white)
32 / 1.25"	42 / 1.65"	800	16	40	80 / 3.15"	9	Transparent Opaque (white)

- Available hose lengths: **50 cm / 100 cm / 150 cm** or as per customer.

4. OPTIONS & CONFIGURATIONS

MODEL CODIFICATION & OPTIONS										
Elbow PLE	∅ Diameter	RO Connector	Hose Connector	Length	Hose PLH	∅ Diameter	Elbow Connector	Manifold	Length	∅ ID
	1.00 in	LN NPT + Adapter	M NPT (1.5")	150mm		1.00 in	LN NPT (1.5in)	LN NPT + Adapter	50 cm	1"/25
	1.25 in	GRV	GRV (1.25")			1.25 in	GRV (1.25in)	GRV	100 cm	1.25"/32
	1.50 in					1.50 in		W	150 cm	
Example: PLE-150LN-150M					Example: PLH-125GRV-150LN-32-100-T					

M: Male • LN: Loose Nut • GRV: Grooved Coupling • W: Welded • NPT: NPT Thread • BSP: BSP Thread

Adapters

- Male
- Female
- Welded

