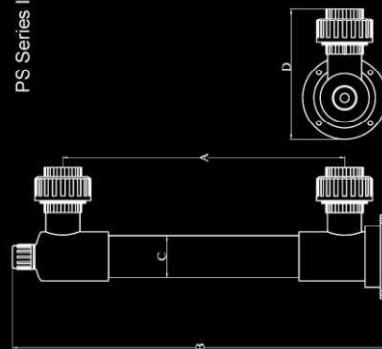


Model	PS-I	PS-II	PS-III	PS-IV
Flow Rate	16mj/cm ² UVT=80%	41GPM(9266LPH)	55GPM(12430LPH)	69GPM(15594LPH)
	16mj/cm ² UVT=90%	48GPM(10848LPH)	64.5GPM(14577LPH)	82GPM(18532LPH)
	30mj/cm ² UVT=80%	11.5GPM(2599LPH)	29GPM(6554LPH)	37GPM(8362LPH)
	30mj/cm ² UVT=90%	13.5GPM(3051LPH)	34GPM(7684LPH)	43.5GPM(9831LPH)
Vertical Type Dimension (Unit:mm)	605 / 805 / 89 / 282	605 / 805 / 89 / 282	765 / 965 / 89 / 282	1060 / 1260 / 89 / 282
Inlet/Outlet Union (Unit:Inch)	2"			
UV Lamp	T533	T565 (HO)	T585	T5120
Voltage/Frequency	100-240V/50-60Hz			
Designed Working Pressure	40Psi			
Operating Temperature	2-40°C			

PS Series Vertical Installation (With Clips)
PS Series Instalación Vertical (Con Clips)



Applications (Aplicaciones)

- Spas (Spas)
- Fountain (Fuente)
- Artificial Rockwork (Roca Artificial)
- Swimming Pools (Piscinas)
- Water Features Waterfalls (Cascadas Artificiales)
- Fish Ponds (Estanque Decorativa de Peces)

PS Series



WONDER

Base

